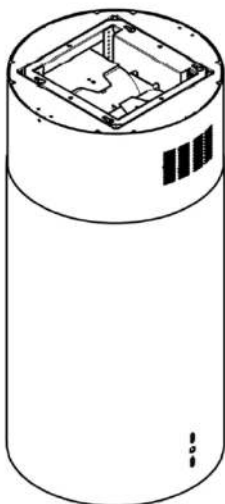




CAMPANA

COOKER HOOD
HOTTE ASPIRANTE
EXAUSTOR DE COZINHA



NOTUSBLANCA
NOTUSINOX

MANUAL DE INSTRUCCIONES

INSTRUCTION MANUAL
GUIDE D'UTILISATION
MANUAL DE INSTRUÇÕES



The product is designed for the extraction of cooking fumes and steam and it is for domestic use only.

Strictly observe the instructions in this manual. No liability shall be accepted for any inconvenience, damage or fire caused to the product as a result of not following the instructions given in this manual.

The device may have different aesthetic features with respect to the illustrations in this handbook, however the operating, maintenance and installation instructions remain the same.

- It is important to keep all the manuals accompanying the product so that they can be consulted at all times. If sold, transferred or moved, make sure it remains with the product.
- Read the instructions carefully: they contain important information on installation, operation and safety.
- Check the integrity of the product prior to its installation. Otherwise, contact the dealer and do not continue with the installation.

NOTES

*****: the items marked with this symbol are optional accessories supplied only with some models or items that cannot be supplied but can be purchased.

1. SAFETY AND REGULATIONS

GENERAL SAFETY

- Do not make electrical or mechanical changes on the product or on the exhaust pipes.
- Before doing any cleaning or maintenance work, disconnect the product from the mains power supply by removing the plug or turning off the mains switch.
- For all installation and maintenance operations, always wear work gloves.
- The product can be used by children over the age of 8 and by people with reduced physical, sensory or mental capabilities or without experience or the necessary knowledge, as long as they are properly supervised or have been instructed on how to safely use the device and understand the inherent dangers.
- Children must be supervised to make sure that they do not play with the product.
- Cleaning and maintenance must never be performed by children unless they are properly supervised.
- The room must have sufficient ventilation when the product is used at the same time as other appliances burning gas or other fuels.
- The product must be cleaned frequently both inside and out (AT LEAST ONCE A MONTH); always follow the instructions given in the maintenance manual.
- Failure to comply with the rules indicated for cleaning the product and replacing/cleaning the filters may result in the risk of fire.
- It is strictly forbidden to cook food on the flame under the product.
- WARNING:
 - When the hob is on, the accessible parts of the product may become hot.
 - Do not connect the product to the electrical power supply until the installation is complete.

- The regulations laid down by local authorities must be strictly followed with regard to the technical and safety measures to adopt for fume extraction.
- The extracted air must not be conveyed through the same ducts used to extract the fumes generated by gas combustion or other types of combustion products.
- Do not use or leave the product without appropriately installed lamps, as this may result in the risk of electric shock.
- The product must NEVER be used without the grille correctly fitted.
- The product must NEVER be used as a support surface unless expressly indicated.

INSTALLATION SAFETY

- Use the fixing screws supplied with the product only if suitable for the surface; otherwise purchase the correct type of screws.
- Check for accessories (e.g. bags containing screws, warranty certificates, etc.) inside the product (placed there for transport reasons). If there are any, remove them and keep them safe.
- WARNING: Failure to install screws and fasteners in accordance with these instructions may result in electrical hazards.
- The exhaust pipe is not supplied and must be purchased.
- The diameter of the exhaust pipe must be equivalent to the diameter of the connecting ring.
- For installation of the product on the hob, respect the height indicated in the drawings.
- The minimum distance between the surface of the container supports on the cooker and the lowest part of the range hood must not be less than 50 cm (not less than 65 cm only for Australia and New Zealand) for electric cookers and 65 cm for gas or mixed cookers.
- If the installation instructions of the gas cooker specify a greater distance, take it into account.

ELECTRICAL CONNECTION SAFETY

- The mains voltage must correspond to the voltage indicated on the label found inside the product.
- If it features a plug, connect the product to a socket that complies with current standards, located in an area accessible even after installation.
- If it does not feature a plug (direct connection to the mains) or the plug is not located in an accessible area, even after installation, apply a standard double pole switch that ensures complete disconnection from the mains in category III overvoltage conditions, in accordance with the installation rules.
- The product features a special power cable; if the cable is damaged, contact the Service Centre for a replacement.
- **Please note!** Before reconnecting the circuit to the mains power supply, make sure that it is working correctly, always check that the power cable is correctly installed.
- **Please note!** Do not use with a programmer, timer, separate remote control or any other device that activates automatically.

RECOMMENDATIONS FOR USE

Recommendations for correct use in order to reduce the impact on the environment: When cooking begins, the

device should be turned on at minimum speed, and left on for a few minutes even after cooking is complete. Increase the speed only if there is a large quantity of fumes and steam, using the Booster function only in extreme cases. To keep the odour reduction system running efficiently, replace the carbon filter/s when necessary. To ensure the high performance of the grease filter, clean it when necessary. To improve efficiency and minimise noise, use the maximum duct diameter indicated in this manual.

END-OF-LIFE DISPOSAL



This device is marked in compliance with the European Directive 2012/19/EC - UK SI 2013 No.3113, Waste Electrical and Electronic Equipment (WEEE). Make sure that this product is disposed of correctly. The user helps prevent potential negative consequences for the environment and for health.

The symbol on the product or accompanying documentation indicates that this product should not be treated as household waste but should be handed over at a suitable collection point for the recycling of electrical and electronic equipment. Dispose of it in accordance with local regulations for waste disposal. For further information about the treatment, recovery and recycling of this product, please contact your local authority, the collection service for household waste or the shop from where the product was purchased.

REGULATIONS

Equipment designed, tested and manufactured in compliance with safety regulations: EN/IEC 60335-1; EN/IEC 60335-2-31, EN/IEC 62233. Performance: EN/IEC 61591; ISO 5167-1; ISO 5167-3; ISO 5168; EN/IEC 60704-1; EN/IEC 60704-2-13; EN/IEC 60704-3; ISO 3741; EN 50564; IEC 62301. EMC: EN 55014-1; CISPR 14-1; EN 55014-2; CISPR 14-2; EN/IEC 61000-3-2; EN/IEC 61000-3-3.

2. USE

The extraction system can be used in the duct-out version with external evacuation, or in the recirculating version with filtering and internal recirculation.

● Duct-Out Version:

Vapours are evacuated outside through an exhaust pipe attached to the connecting flange.

CAUTION! If the product features one or more carbon filters, they must be removed.

Connect the product to wall-mounted exhaust pipes and holes with a diameter equivalent to the air outlet (connecting flange).

The use of pipes and outlet holes in the wall with a smaller diameter will reduce the extraction performance and drastically increase the noise level.

All responsibility in this regard is therefore denied.

- Use a ducting pipe with the shortest length necessary.

- Use a ducting pipe with the least number of bends possible (maximum bend angle: 90°).
- Avoid drastic changes in the ducting pipe diameter.

● Recirculating Version:

The suctioned air will be degreased and deodorised before it is sent back into the room. To use the product in this version, it is necessary to install an additional activated carbon filter system.

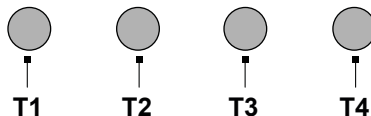
The models with no suction motor only operate in ducting mode, and must be connected to an external suction device (not supplied). The connecting instructions are supplied with the peripheral suction unit.

ASSEMBLY BEFORE INSTALLATION

- Check that the product is the right size for the installation area.
- Remove the activated carbon filter(s) if supplied (see also relevant paragraph).
- It(they) must be reinstalled if the product is used in the filter version.
- If there are panels and/or walls and/or wall units on the sides, make sure that there is enough space to install the product and that it is always possible to access the control panel easily.
- The product is equipped with fixing plugs suitable for most walls/ceilings. However, it is necessary to consult a qualified technician to make sure that the materials are suitable for the type of wall/ceiling. The wall/ceiling must be strong enough to support the weight of the hood.

Heavy product, two or more people are required for handling and installation operations.


3. OPERATION




- T1. ON/OFF light switch
- T2. Speed 1/OFF switch
- T3. 2-speed selection
- T4. 3-speed selection

4. MAINTENANCE WARNINGS

- **Cleaning:** For cleaning, simply use a cloth moistened with neutral liquid detergents. Do not use cleaning tools or instruments.
- Avoid the use of abrasive products. **DO NOT USE ALCOHOL!**

 For product maintenance, see the images at the end of the installation marked by this symbol.


• ** A Anti-Grease Filter:** The metallic anti-grease filter must be cleaned once a month with non-aggressive detergents, manually or in a dishwasher on a short wash at low temperatures. To remove the anti-grease filter, pull the spring release handle.

• The Anti-Grease Filter traps the grease particles produced during cooking. When cleaned in the dishwasher, the metal grease filter may discolour, but its filtering characteristics remain unchanged.

• ** B Washable activated carbon filter (for filter version only):**

The carbon filter can be washed every two months (or when indicated by the filter saturation system - if included in your model). As indicated in the drawing section: remove the grease filter, remove the carbon filter and wash using hot water and suitable detergents or in a dishwasher at 65°C (if washing in a dishwasher, carry out the complete washing cycle without dishes inside). Remove any excess water without damaging the filter, then place it in the oven for 10 minutes at 100°C to dry it out completely. Put the anti-grease filters back in place.

Replace the foam layer every 3 years and each time the cloth appears damaged.

• ** C Perimeter suction panel (panel maintenance)**

Disassembly:

- a. firmly pull the panel (FRONT SIDE) downwards
- b. release it from the rear hinges.

Cleaning: the suction panel must be cleaned manually using non-aggressive detergents.

Assembly: the panel must be hooked at the back and secured at the front (with magnets).

Attention! Always check that the panel is securely fixed in place.

- **Lighting system** : The lighting system cannot be replaced by the user, contact Customer Service in case of malfunction.
- The lighting system is based on LED technology. LEDs provide optimal illumination, last up to 10 times longer than conventional lamps and save 90% of electricity.

WARRANTY CONDITIONS

This appliance is guaranteed for three years from the date of sale against all manufacturing defects, including labour and spare parts. In order to justify the date of purchase, it will be compulsory to present the invoice or purchase receipt. The conditions of this warranty apply only to Spain and Portugal. If you have purchased this product in another country, please consult your distributor for the applicable conditions.

WARRANTY EXCLUSIONS

1. Remote controls, drain intake rubbers, dockings and door seals, weather stripping.
2. Damage to enamels, paints, nickel plating, chrome plating, oxidation or other types of aesthetic parts or components that do not affect the internal functioning of the appliance.
3. Damage to wear parts due to use, corrosion or oxidation, whether caused by normal use of the appliance or accelerated deterioration due to unfavorable environmental or climatic circumstances. Not suitable for outdoor use.
4. Damage to fragile pieces of glass, glass ceramic, plastics, handles, baskets, doors or light bulbs when their failure or breakage is not attributable to a manufacturing defect.
5. Faults produced by fortuitous causes or accidents of force majeure, or as a consequence of abnormal, negligent or inappropriate use of the device.
6. Civil liabilities of any nature.
7. Consequential damage to the appliance as long as it has not been caused by an internal malfunction.
8. Maintenance or upkeep of the appliance: periodic reviews, adjustments and greases.
9. Faults that accessories and complements, adapters, external cables, bags, spare parts of all kinds, lamps, as well as any part considered consumable by the manufacturer, may suffer.
10. Faults caused by incorrect or illegal installation, inadequate ventilation, lack of grounding in the home, power disturbances, inappropriate modifications or use of non-original spare parts.
11. Appliances used in industrial applications or for commercial purposes.
12. Appliances with illegible or altered serial number.
13. Defects or breakdowns produced as a result of fixes, repairs, modifications, or disassembly of the installation of the device by the user or by a technician not authorized by the manufacturer, or as a result of manifest non-compliance with the manufacturer's instructions for use and maintenance.
14. During the warranty period it is essential to keep all manuals together with the equipment. If the equipment is sold, donated or given away, the manual and all related documents must be given to the new user. If any of these are lost, their replacement cannot be claimed.
15. Faults that have their origin or are a direct or indirect consequence of: contact with liquids, chemicals and other substances, as well as conditions derived from the climate or the environment: earthquakes, fires, floods, excessive heat or any other external force, such as insects, rodents and other animals that may have access to the interior of the machine or its connection points.
16. Damages derived from terrorism, riot or popular tumult, legal or illegal demonstrations and strikes; facts of actions of the Armed Forces or the State Security Forces in times of peace; armed conflicts and acts of war (declared or not); nuclear reaction or radiation or radioactive contamination; vice or defect of the goods; facts classified by the Government of the Nation as "national catastrophe or calamity".

Design and specifications are subject to change without notice for product improvement. Any changes to the manual will be updated on our website, you can check the latest version.

Le produit est conçu pour l'aspiration des fumées et des vapeurs de cuisson et est destiné au seul usage domestique.

Suivre de près les instructions reportées dans ce manuel. Nous déclinons toute responsabilité face à tout inconfort, dommage ou incendie causé au produit en violation du non-respect des instructions de ce manuel.

L'appareil peut avoir un aspect différent par rapport au dessin de cette notice mais les instructions pour l'utilisation, l'entretien et l'installation restent les mêmes.

- Il est important de conserver tous les manuels accompagnant le produit afin qu'ils puissent être consultés à tout moment. En cas de vente, de cession ou de transfert, s'assurer qu'ils restent avec le produit.
- Lire attentivement les instructions : elles contiennent des informations essentielles sur l'installation, l'utilisation et la sécurité.
- Vérifier l'intégrité du produit avant de procéder à l'installation. Sinon, contacter le revendeur et ne pas continuer l'installation.

REMARQUES

*****: les détails marqués par ce symbole sont des accessoires optionnel fournis uniquement sur certains modèles ou des détails à fournir à la demande.

1. SÉCURITÉ ET RÈGLEMENTATIONS

⚠ SÉCURITÉ GÉNÉRALE

- Ne pas effectuer de variations électriques ou mécaniques sur le produit ou sur les conduits d'évacuation.
- Avant toute opération de nettoyage ou d'entretien, débrancher le produit du secteur électrique en enlevant la fiche ou à travers le disjoncteur général du logement.
- Utiliser des gants de travail pour toutes les opérations d'installation et d'entretien.
- Le produit peut être utilisé par des enfants âgés d'au moins 8 ans et par des personnes ayant des capacités physiques, sensorielles ou mentales réduites ou sans expérience ou sans les connaissances nécessaires, à condition qu'ils soient surveillés ou après que ces personnes aient reçu des instructions relatives à l'usage sûr de l'appareil et à la compréhension des dangers afférents.
- Les enfants doivent être contrôlés afin qu'ils ne jouent pas avec le produit.
- Le nettoyage et l'entretien ne doivent pas être effectués par des enfants sans surveillance.
- Le local doit disposer d'une ventilation suffisante lorsque le produit est utilisé en même temps que d'autres appareils à combustion de gaz ou autres combustibles.
- Le produit doit être fréquemment nettoyé, à l'intérieur comme à l'extérieur (AU MOINS UNE FOIS PAR MOIS) ; respecter dans tous les cas les indications présentes dans les instructions d'entretien.
- Le non-respect des normes de nettoyage du

- produit et du remplacement/nettoyage des filtres comporte des risques d'incendie.
- Il est strictement interdit de faire flamber des aliments sous le produit.
- **ATTENTION** : Lorsque la plaque de cuisson est en marche, les parties accessibles du produit peuvent devenir chaudes.
- Ne pas brancher le produit au secteur électrique tant que l'installation n'est pas totalement terminée.
- Concernant les mesures techniques et de sécurité à prendre pour l'évacuation des fumées, respecter scrupuleusement les réglementations établies par les autorités locales compétentes.
- L'air aspiré ne doit pas être conduit vers le tube destiné à l'évacuation des fumées des appareils à combustion à gaz ou autres combustibles.
- Ne pas utiliser ni laisser le produit sans que les ampoules ne soient correctement montées en raison du risque possible de décharge électrique.
- Le produit ne doit **JAMAIS** être utilisé sans la grille correctement montée.
- Le produit ne doit **JAMAIS** être utilisé comme plan à moins que cela ne soit explicitement indiqué.

⚠ SÉCURITÉ POUR L'INSTALLATION

- Utiliser le vis de fixation fournies avec le produit uniquement si elles sont adaptées à la surface, sinon, acheter les vis adéquates. Vérifier qu'aucun matériel accessoire (comme des sachets avec des vis, garanties, etc.) ne se trouve à l'intérieur de l'emballage (pour des raisons de transport) : il doit être enlevé et conservé.
- **AVERTISSEMENT** : La non-installation de vis et fixations conformément à ces instructions peut comporter des risques électriques.
- Le tube d'évacuation n'est pas fourni et doit être acheté.
- Le diamètre du tube d'évacuation doit être identique au diamètre de l'anneau de raccordement.
- Pour l'installation du produit au dessus d'une plaque de cuisson, respecter la hauteur indiquée sur les dessins.
- La distance minimale entre la surface du support des récipients sur le dispositif de cuisson et la partie la plus basse de la hotte ne doit pas être inférieure à 50 cm pour les cuisines électriques et de 65 cm pour les cuisines à gaz ou mixtes.
- Si les instructions d'installation du dispositif de cuisson à gaz spécifient une distance plus importante, il faut en tenir compte.

⚠ SÉCURITÉ POUR LE RACCORDEMENT ÉLECTRIQUE

- La tension du réseau doit correspondre à la tension figurant sur l'étiquette des caractéristiques située à l'intérieur du produit.
- Si une fiche est présente, brancher le produit à une prise conforme aux normes en vigueur et placée à un endroit accessible même après l'installation.
- Si l'appareil n'est pas doté de fiche (raccordement direct au secteur) ou si la fiche n'est pas placée dans un endroit accessible même après l'installation, appliquer un interrupteur bipolaire conforme qui assure la déconnexion complète du secteur dans les conditions de la catégorie de surtension III, conformément aux règles d'installation.
- Le

produit est doté d'un câble d'alimentation spécial ; en cas d'endommagement, le demander au service d'assistance technique.

● **Attention** ! Avant de rebrancher le circuit à l'alimentation du secteur électrique et d'en vérifier le fonctionnement correct, toujours contrôler que le câble d'alimentation ait été correctement monté.

Attention ! Ne pas utiliser avec un programmeur, une minuterie, une télécommande séparée ou tout autre appareil qui s'active automatiquement.

SUGGESTIONS D'UTILISATION

Conseils pour une utilisation correcte et destinée à réduire l'impact environnemental : Pour commencer à cuisiner, allumer l'appareil à la vitesse minimale et la laisser allumer quelques minutes, même après la fin de la cuisson. Augmenter la vitesse seulement en cas de grosses quantités de fumée et de vapeur en utilisant la fonction booster uniquement pour les cas extrêmes. Pour préserver l'efficacité du système de réduction des odeurs, remplacer le(s) filtre(s) à charbon. Nettoyer le filtre à graisse régulièrement pour en préserver l'efficacité. Pour optimiser l'efficacité et minimiser les bruits, utiliser le diamètre maximal du système de canalisation indiqué dans ce manuel.

ÉLIMINATION EN FIN DE VIE



Cet appareil est marqué conformément à la Directive Européenne 2012/19/CE - UK SI 2013 No.3113, Déchets d'équipements électriques et électroniques (DEEE). S'assurer que ce produit est correctement éliminé. L'utilisateur contribue à prévenir les possibles conséquences négatives pour l'environnement et la santé.

Le symbole présent sur le produit ou sur la documentation qui l'accompagne indique qu'il ne doit pas être traité comme déchet ménager mais être apporté à un point de collecte pour le recyclage d'équipements électriques et électroniques. L'éliminer conformément aux réglementations locales d'élimination des déchets. Pour plus d'informations sur le traitement, la récupération et le recyclage de ce produit, contacter les autorités locales, le service de collecte des déchets ménagers ou le magasin où le produit a été acheté.



FR Concerne la France uniquement :



Points de collecte sur www.quefairedesdechets.fr
Privilégiez la réparation ou le don de votre appareil !

NORMES

Équipement conçu, testé et réalisé dans le respect des normes sur la Sécurité : EN/CEI 60335-1 ; EN/CEI 60335-2-31, EN/CEI 62233. Performance : EN/CEI 61591 ; ISO 5167-1 ; ISO 5167-3 ; ISO 5168 ; EN/CEI 60704-1 ; EN/CEI 60704-2-13 ; EN/CEI 60704-3 ; ISO 3741 ; EN 50564 ; CEI 62301. CEM : EN 55014-1 ; CISPR 14-1 ; EN 55014-2 ; CISPR 14-2 ; EN/CEI 61000-3-2 ; EN/CEI 61000-3-3.

2. UTILISATION

Le système d'extraction peut être utilisé en version aspirante à évacuation externe ou filtrante à recyclage interne.

● Version Aspirante :

Les vapeurs sont évacuées vers l'extérieur par un tuyau d'échappement fixé sur la bride de raccord.

ATTENTION ! Si le produit est équipé d'un ou de plusieurs filtres à charbon, ceux-ci doivent être retirés.

Raccorder le produit aux tuyaux et aux orifices d'évacuation murale du même diamètre que celui de la sortie d'air (bride de raccord).

L'utilisation des tuyaux et des orifices d'évacuation d'un diamètre inférieur diminuera l'efficacité de l'extraction et augmentera considérablement le bruit.

Nous déclinons, dans ce cas, toute responsabilité.

- La longueur du conduit doit être celle strictement indispensable.
- Utiliser un conduit avec le moins de coudes possible (angle maximal du coude : 90°).
- Éviter de changer drastiquement la section du conduit.

● Version Filtrante :

L'air aspiré sera dégraissé et désodorisé avant d'être renvoyé dans la pièce. Pour utiliser le produit dans cette version, il est nécessaire d'installer un système supplémentaire de filtre à charbon actif.

Les modèles sans moteur d'aspiration fonctionnent uniquement dans la version aspirante et ils doivent être connectés à une unité périphérique d'aspiration (non fournie). Les instructions de raccordement sont fournies avec l'unité périphérique d'aspiration.

MONTAGE PREMIÈRE INSTALLATION

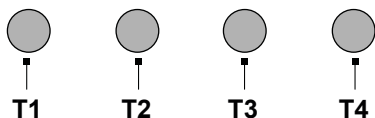
- Vérifier que la taille du produit acheté est adaptée à la zone d'installation choisie.
- Retirer le ou les filtres à charbon actif s'ils sont fournis (voir également la section correspondante).
- Les filtres ne doivent être remis en place que si le produit doit être utilisé dans sa version filtrante.
- Dans le cas de présence de panneaux et/ou de parois et/

ou de placards latéraux, vérifier que l'espace est suffisant pour installer le produit et qu'il est toujours possible d'accéder facilement au panneau de commande.

• Le produit est équipé de fiches de fixation adaptées à la plupart des murs/plafonds. Toutefois, un technicien qualifié doit être consulté pour vérifier l'adéquation des matériaux en fonction du type de mur/plafond. Le mur/plafond doit être suffisamment solide pour supporter le poids de la hotte.

Appareil excessivement lourd ; le déplacement et l'installation de la hotte doivent être effectués par minimum deux personnes.

3. FONCTIONNEMENT



T1. Interrupteur lumières ON/OFF.

T2. Interrupteur OFF/vitesse 1


T3. Sélection vitesse 2

T4. Sélection vitesse 3

4. CONSIGNES D'ENTRETIEN

• **Nettoyage** : Pour le nettoyage, utiliser exclusivement un chiffon imbibé de nettoyant liquide neutre. Ne pas utiliser d'ustensiles ni d'instruments de nettoyage.

• Éviter l'usage de produits à base d'agents abrasifs. NE PAS UTILISER D'ALCOOL !

 Pour l'entretien du produit, voir les images à la fin de l'installation marquées de ce symbole.

• **XA Filtre à graisse** : Le filtre à graisse métallique doit être nettoyé une fois par mois avec des nettoyants non agressifs, manuellement ou au lave-vaisselle à basse température et avec un cycle court. Pour démonter le filtre à graisse, tirer la poignée de décrochage à ressort.

• Le filtre à graisse retient les particules de graisse provenant de la cuisson. Avec le lavage au lave-vaisselle, le filtre anti-graisse métallique peut décolorer mais ses caractéristiques de filtrage restent les mêmes.

• **XB Filtre au charbon actif lavable (uniquement pour version filtrante)** :

le filtre à charbon peut être lavé tous les deux mois (ou quand le système d'indication de saturation des filtres - si prévu sur le modèle possédé - indique ce besoin). Comme indiqué dans la section des dessins : enlever les filtres à graisse, enlever le filtre à charbon et laver avec de l'eau chaude et des nettoyants adéquats ou au lave-vaisselle à 65°C (en cas de lavage au lave-vaisselle, effectuer le cycle de lavage complet sans vaisselle à l'intérieur). Éliminer

l'excès d'eau sans abimer le filtre, puis le placer au four pendant 10 minutes à 100°C pour le sécher définitivement. Remettre les filtres à graisse.

Remplacer le tapis tous les 3 ans et chaque fois qu'il est abimé.

• **XC Panneau d'aspiration périmétrique (entretien du panneau)**

Démontage :

a. tirer le panneau (CÔTÉ AVANT) avec décision vers le bas

b. le décrocher des charnières arrière.

Nettoyage : le panneau d'aspiration doit être nettoyé manuellement avec des détergents non agressifs.

Montage : le panneau doit être accroché à l'arrière et fixé à l'avant (fixation par aimant).

Attention ! toujours vérifier que le panneau est bien fixé à sa place.

• **Système d'Éclairage** : Le système d'éclairage ne peut pas être remplacé par l'utilisateur ; en cas de dysfonctionnement, contacter le service d'assistance.

• Le système d'éclairage est basé sur la technologie LED. Les LED fournissent un éclairage optimal, durent jusqu'à 10 fois plus longtemps que les ampoules classiques et permettent d'économiser 90 % d'électricité.

CONDITIONS DE GARANTIE

Cet appareil est garanti pendant trois ans à compter de la date de vente contre tout défaut de fabrication, y compris la main-d'œuvre et les pièces de rechange. Afin de prouver la date d'achat, la facture ou le ticket de caisse doit être présenté. Les conditions de cette garantie s'appliquent uniquement à l'Espagne et au Portugal. Si vous avez acheté ce produit dans un autre pays, veuillez consulter votre revendeur pour connaître les conditions applicables.

EXCLUSIONS DE LA GARANTIE

1. Les télécommandes, les caoutchoucs des bouches d'égout, les serrures et les joints des portes, les coupe-bise.
2. Les dommages causés à l'émail, à la peinture, au nickelage, au chromage, à la rouille ou à d'autres types de pièces ou composants esthétiques qui n'affectent pas le fonctionnement interne de l'appareil.
3. Dommages aux pièces d'usure dus à l'utilisation, à la corrosion ou à l'oxydation, qu'ils soient causés par l'utilisation normale de l'appareil ou par une détérioration accélérée due à des circonstances environnementales ou climatiques défavorables. Ne convient pas à une utilisation en extérieur.
4. Les dommages aux parties fragiles du verre, de la vitrocéramique, des matières plastiques, des poignées, des paniers, des portes ou des ampoules lorsque leur défaillance ou leur rupture n'est pas imputable à un défaut de fabrication.
5. Les pannes produites par des causes fortuites ou des accidents de force majeure, ou résultant d'une utilisation anormale, négligente ou inadéquate de l'appareil.
6. Les responsabilités civiles de toute nature.
7. Les dommages consécutifs à l'appareil pour autant qu'ils n'aient pas été causés par un dysfonctionnement interne.
8. La maintenance ou l'entretien de l'appareil : vérifications périodiques, réglages et graissage.
9. Les pannes que peuvent subir les accessoires et les compléments, les adaptateurs, les câbles externes, les sacs, les pièces détachées de toutes sortes, les lampes, ainsi que toute pièce considérée comme consommable par le fabricant.
10. Les pannes causées par une installation incorrecte ou non légale, une ventilation inadéquate, un manque de mise à la terre dans l'habitation, des altérations courantes, des modifications inappropriées ou l'utilisation de pièces de rechange non originales.
11. Appareils utilisés dans des applications industrielles ou à des fins commerciales.
12. Les appareils dont le numéro de série est illisible ou altéré.
13. Les défauts ou pannes causés à la suite de réparations, de modifications ou de démontage de l'installation de l'appareil par l'utilisateur ou par un technicien non autorisé par le fabricant, ou à la suite du non-respect manifeste des instructions d'utilisation et d'entretien du fabricant.
14. Tous les manuels doivent être conservés avec l'appareil pendant la période de garantie. Si l'équipement est vendu, donné ou cédé, le manuel et tous les documents connexes doivent être remis au nouvel utilisateur. Si l'un de ces documents est perdu, il ne pourra pas être remplacé.
15. Les pannes ayant pour origine ou résultant directement ou indirectement : du contact avec des liquides, des produits chimiques et d'autres substances, ainsi que des conditions liées au climat ou à l'environnement : tremblements de terre, incendies, inondations, chaleur excessive ou toute autre force extérieure, comme les insectes, les rongeurs et autres animaux qui peuvent avoir accès à l'intérieur de la machine ou à ses points de connexion.
16. Les dommages dérivés du terrorisme, de l'émeute, du tumulte populaire, des manifestations et des grèves légales ou illégales ; des actes des Forces Armées ou des Forces de Sécurité de l'Etat en temps de paix ; des conflits armés et des actes de guerre (déclarés ou non) ; de la réaction nucléaire ou des radiations ou de la contamination radioactive ; du défaut ou de la défectuosité des biens ; des événements classés par le Gouvernement National comme "catastrophe ou calamité nationale".

La conception et les spécifications peuvent être modifiées sans préavis pour améliorer le produit.

El producto está realizado para la aspiración de los humos y vapores de la cocción y está destinado solo a uso doméstico.

Siga escrupulosamente las instrucciones proporcionadas en este manual. Se declina cualquier responsabilidad por posibles inconvenientes, daños o incendios causados al producto como consecuencia del incumplimiento de las instrucciones de este manual.

El producto puede tener un aspecto estético diferente al mostrado en las ilustraciones de este manual, sin embargo, las instrucciones para el uso, mantenimiento e instalación siguen siendo las mismas.

- Es importante conservar todos los manuales que acompañan al producto para consultarlos en todo momento. En caso de venta, cesión o traslado, asegúrese de que permanezcan junto con el producto.
- Lea detenidamente las instrucciones: contienen importante información sobre la instalación, el uso y la seguridad.
- Compruebe la integridad del producto antes de proceder con la instalación. De no ser así, póngase en contacto con su distribuidor e interrumpa la instalación.

NOTAS

* : las piezas marcadas con este símbolo son accesorios opcionales suministrados solo en algunos modelos o piezas no suministrables, pero que pueden comprarse.

1. SEGURIDAD Y NORMATIVAS

SEGURIDAD GENERAL

- No realice cambios eléctricos o mecánicos en el producto o en los conductos de descarga. • Antes de realizar cualquier tarea de limpieza o mantenimiento, desconecte el producto de la red eléctrica, quitando el enchufe o desconectando el interruptor general de la habitación.
- Para todas las operaciones de instalación y mantenimiento es preciso usar guantes de trabajo. • El aparato puede ser utilizado por niños a partir de los 8 años de edad y por personas con capacidades físicas, sensoriales o mentales reducidas, o con falta de experiencia y conocimiento, a condición de que estén bajo supervisión o hayan recibido instrucciones sobre el uso del aparato de forma segura y la comprensión de los peligros relacionados con el mismo. • Los niños deben ser controlados para que no jueguen con el producto. • Las operaciones de limpieza y mantenimiento no deben ser llevadas a cabo por niños sin ninguna supervisión. • El local debe disponer de suficiente ventilación cuando el producto se utiliza al mismo tiempo que otros aparatos con combustión de gases u otros combustibles. El producto debe limpiarse con frecuencia tanto interna como externamente (AL MENOS UNA VEZ AL MES), respete de todos modos cuanto expresamente indicado en las instrucciones de mantenimiento. • La inobservancia de las normas de limpieza del producto y de

- la sustitución/limpieza de los filtros causa riesgos de incendios. • Está terminantemente prohibido cocinar alimentos con la llama bajo el producto. • ATENCIÓN: Cuando la placa de cocción está en funcionamiento las partes accesibles del producto pueden estar calientes. • No conecte el producto a la red eléctrica hasta que la instalación no está totalmente completada. • En lo que respecta a las medidas técnicas y de seguridad que deben adoptarse para la evacuación de los humos, atégase estrictamente a lo previsto en los reglamentos de las autoridades locales competentes. • El aire aspirado no debe encauzarse en una tubería que se utiliza para la evacuación de los humos producidos por el aparato de combustión de gas o de otros combustibles. • No utilice o deje el producto sin las lámparas correctamente montadas por posible riesgo de descarga eléctrica. • El producto no debe utilizarse NUNCA sin la rejilla correctamente montada. • El producto no debe utilizarse NUNCA como superficie de apoyo a menos que esté expresamente indicado.

SEGURIDAD PARA LA INSTALACIÓN

- Utilice los tornillos de fijación suministrados con el producto solo si son adecuados a la superficie, de lo contrario compre del tipo correcto. Asegúrese de que en el interior del producto no haya (por motivos de transporte) materiales de embalaje (tales como bolsas con tornillos, garantías, etc.) que, en su caso, deberán ser quitados y guardados. • ADVERTENCIA: La falta de montaje de tornillos y elementos de fijación según lo indicado en estas instrucciones puede comportar riesgos de naturaleza eléctrica. • El tubo de evacuación no es suministrado y debe ser comprado. • El diámetro del tubo de descarga debe ser igual al diámetro del aro de empalme. • Para la instalación del producto en la placa de cocción respetar la altura indicada en los dibujos • La distancia mínima entre las superficies de soporte de los recipientes en el dispositivo de cocción y la parte más baja de la campana no debe ser inferior a 50 cm en caso de cocinas eléctricas y de 65 cm en caso de cocinas a gas o mixtas. • Si las instrucciones de instalación del dispositivo de cocción a gas especifican una distancia mayor, en necesario tenerlo en cuenta.

SEGURIDAD PARA LA CONEXIÓN ELÉCTRICA

- La tensión de red debe corresponder a la tensión señalada en la etiqueta de características situada dentro del producto. • Si está dotado con un enchufe, conecte el producto a una toma de corriente que cumpla con las normas vigentes, situada en una zona accesible incluso después de la instalación. • Si no está dotado de enchufe (conexión directa a la red) o el enchufe no está situado en una zona accesible, incluso después de la instalación, coloque un interruptor bipolar normalizado que garantice la

desconexión completa de la red en las condiciones de categoría de sobretensión III, de acuerdo con las normas de instalación. • El producto está dotado de un cable de alimentación especial; en caso de que se dañe el cable, solicítelo al servicio de asistencia técnica.

● **¡Cuidado!** Antes de volver a conectar el circuito a la red eléctrica y verificar su correcto funcionamiento, siempre compruebe que el cable de la red haya sido correctamente instalado.

¡Cuidado! No utilizar con un programador, temporizador, mando a distancia independiente o cualquier otro dispositivo que se active automáticamente.

SUGERENCIAS DE USO

Recomendaciones para la correcta utilización con el fin de limitar el impacto sobre el medio ambiente: Cuando empiece a cocinar, encienda el producto a la velocidad mínima, dejándolo encendido unos minutos incluso después de terminar de cocinar. Aumente la velocidad solo si se produjera una gran cantidad de humo y vapor, accionado la función booster solamente en los casos extremos. Para que el sistema de reducción de olores, se mantenga eficiente, es preciso sustituir, cuando fuera necesario, el/los filtros de carbón. Para que el filtro de grasa se mantenga eficiente, es preciso limpiarlo cuando fuera necesario. Para optimizar la eficiencia y reducir al mínimo el ruido, utilice el diámetro máximo del sistema de canalización que figura en este manual.

ELIMINACIÓN AL FINAL DE VIDA

Este aparato está marcado de acuerdo con la Directiva Europea 2012/19/CE - UK SI 2013 No.3113, Residuos de Aparatos Eléctricos y Electrónicos (RAEE). Asegurándose de que este producto sea eliminado de modo correcto. El usuario contribuye a prevenir las potenciales consecuencias negativas para el ambiente y la salud.



El símbolo en el producto o en la documentación adjunta indica que este producto no debe ser tratado como un desecho doméstico, sino que debe ser llevado a un punto de recolección adecuado para el reciclaje de aparatos eléctricos y electrónicos. Para la eliminación del producto siga las normativas locales para la eliminación de residuos. Para obtener más información sobre el tratamiento, la recuperación y el reciclaje de este producto, póngase en contacto con las autoridades locales, el servicio de recolección de residuos domésticos o con la tienda donde se ha comprado el producto.

NORMATIVAS

Equipo diseñado, probado y realizado respetando las normas sobre la Seguridad: EN/IEC 60335-1; EN/IEC 60335-2-31; EN/IEC 62233. Rendimiento: EN/IEC 61591; ISO 5167-1; ISO 5167-3; ISO 5168; EN/IEC 60704-1; EN/IEC 60704-2-13; EN/IEC 60704-3; ISO 3741; EN 50564; IEC 62301. EMC: EN 55014-1; CISPR 14-1; EN 55014-2; CISPR 14-2; EN/IEC 61000-3-2; EN/IEC 61000-3-3.

2. USO

El sistema de aspiración puede ser utilizado en la versión aspirante de evacuación externa o bien en la versión filtrante de recirculación interior.

● Versión Aspirante:

Los vapores se evacuan al exterior a través de un tubo de escape fijado a la brida de conexión.

¡ATENCIÓN! Si el producto está equipado con filtro/s de carbón, debe/n retirarse.

Empalme el producto en tuberías o agujeros de descarga en la pared con diámetro equivalente al de la salida de aire (brida de empalme).

El empleo de tuberías y agujeros de descarga en la pared con diámetro inferior conllevará una disminución en términos de rendimiento de aspiración y un aumento drástico del ruido.

Por lo tanto no se acepta responsabilidad alguna por ello.

- Usar un conducto cuya longitud sea la mínima indispensable.
- Usar un conducto con la menor cantidad de codos posibles (ángulo máximo del codo: 90°).
- Evitar cambios bruscos de sección del conducto.

● Versión Filtrante:

El aire extraído es desengrasado y desodorizado antes de ser devuelto a la habitación. Para utilizar el producto en esta versión, es necesario instalar un sistema de filtro de carbón activado adicional.

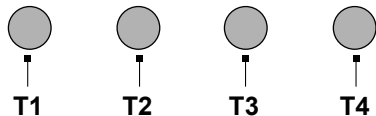
Los modelos sin motor de aspiración solamente funcionan en versión de extracción al exterior y tienen que conectarse a una unidad periférica de aspiración (no suministrada). Las instrucciones de conexión se proveen con la unidad periférica de aspiración.

MONTAJE PRIMERA INSTALACIÓN

- Asegúrese de que el producto comprado sea de un tamaño adecuado para la zona de instalación escogida.
- Retirar el/los filtro/s de carbón activo si se suministraron (véase también el respectivo apartado).
- Este/s solo debe/n ser reajustado/s si el producto va a ser utilizado en versión filtrante.
- En el caso de la presencia de paneles y/o colgantes laterales, comprobar que haya espacio suficiente para instalar el producto y que siempre sea posible acceder fácilmente al panel de mandos.
- El producto está equipado con tacos de fijación adecuados para la mayoría de las paredes/techos. Sin embargo, es necesario consultar a un técnico cualificado para comprobar la idoneidad de los materiales en función del tipo de pared/techo. La/el pared/techo debe ser suficientemente fuerte para sostener el peso de la campana.

Producido por el peso excesivo, el desplazamiento e instalación de la campana debe ser realizado por lo menos por dos o más personas.

3. FUNCIONAMIENTO



- T1. Interruptor luz ON/OFF.
- T2. Interruptor OFF/ velocidad 1
- T3. Selección velocidad 2
- T4. Selección velocidad 3

4. ADVERTENCIAS DE MANTENIMIENTO

- **Limpieza:** Para la limpieza use exclusivamente un paño humedecido con detergentes líquidos neutros. No utilice herramientas o instrumentos para la limpieza.
- No utilice productos que contienen abrasivos. ¡NO UTILICE ALCOHOL!



Para el mantenimiento del producto ver las imágenes marcadas con este símbolo al final de la instalación.

- **XA Filtro de grasas:** El filtro de grasas metálico debe limpiarse una vez al mes con detergentes no agresivos, ya sea manualmente o en un lavavajillas a baja temperatura y en un ciclo corto. Para desmontar el filtro de grasas, tire de la palanca de liberación con muelle.
- El Filtro de grasa retiene las partículas de grasa derivadas de la cocción. Cuando el filtro metálico de grasa se lava en el lavavajillas puede decolorarse pero ello no afecta de ninguna manera sus características de filtrado.
- **XB Filtro de carbón activado lavable (solo para la versión filtrante):**

el filtro de carbón puede lavarse cada dos meses (o cuando el sistema de indicación de saturación de los filtros - si está previsto en su modelo - indique esta necesidad). Como se indica en la sección de dibujos: quite los filtros de grasa, retire el filtro de carbón y lave en agua caliente y detergentes adecuados o en un lavavajillas a 65°C (cuando lo lave en un lavavajillas, realice el ciclo de lavado completo sin la vajilla dentro). Elimine el exceso de agua sin dañar el filtro y, a continuación, introdúzcalo en el horno durante 10 minutos a 100°C para secarlo. Sustituya los filtros de grasas.

Sustituya la alfombrilla cada 3 años y siempre que la tela esté dañada.

- **XC Panel de aspiración perimetral (mantenimiento del panel)**

Desmontaje:

- tire del panel (LADO DELANTERO) firmemente hacia abajo
- desengánchelo de las bisagras traseras.

Limpieza: el panel de aspiración debe limpiarse manualmente con detergentes no agresivos.

Montaje: el panel debe engancharse en la parte trasera y fijarse en la parte delantera (fijación con imanes).

¡Atención! Verifique siempre que el panel esté bien fijado en su lugar.

- **Sistema de Iluminación :** El sistema de iluminación no es sustituible por el usuario, en caso de mal funcionamiento póngase en contacto con el servicio de asistencia técnica.

- El sistema de iluminación está basado en la tecnología LED. Los LED garantizan una iluminación óptima, con una duración hasta 10 veces mayor que las lámparas tradicionales y permiten ahorrar el 90% de energía eléctrica.

CONDICIONES DE LA GARANTÍA

Este aparato tiene una garantía de reparación de tres años, a partir de la fecha de venta, contra todo defecto de funcionamiento proveniente de la fabricación, incluyendo mano de obra y piezas de recambio. Para justificar la fecha de compra será obligatorio presentar la factura o ticket de compra. Las condiciones de esta garantía se aplican únicamente a España y Portugal. Si ha adquirido este producto en otro país, consulte con su distribuidor las condiciones aplicables.

EXCLUSIONES DE LA GARANTÍA

1. Mandos a distancia, gomas de admisión de desagüe, atranques y juntas de puertas, burletes.
2. Daños en esmaltes, pinturas, niquelados, cromados, oxidaciones u otro tipo de piezas o componentes estéticos que no afecten al funcionamiento interno del aparato.
3. Daños en piezas de desgaste por uso, corrosión u oxidación, ya sea causada por el uso normal del aparato o deterioro acelerado por circunstancias ambientales o climáticas no propicias. No aptos para uso en exterior.
4. Daños en piezas frágiles de cristal, cristal vitrocerámico, plásticos, manetas, cerrillos, puertas o bombillas cuando su fallo o rotura no sea atribuible a un defecto de fabricación.
5. Averías producidas por causas fortuitas o siniestros de fuerza mayor, o como consecuencia de un uso anormal, negligente o inadecuado del aparato.
6. Responsabilidades civiles de cualquier naturaleza.
7. Daños consecuenciales al aparato siempre que estos no hayan sido provocados por una avería interna de funcionamiento.
8. Mantenimientos o conservación del aparato: revisiones periódicas, ajustes y engrases.
9. Las averías que pueden sufrir los accesorios y complementos, adaptadores, cables externos, bolsas, recambios sueltos de todo tipo, lámparas, así como cualquier pieza considerada consumible por el fabricante.
10. Averías causadas por una instalación incorrecta o no legal, ventilación inadecuada, falta de toma de tierra en la vivienda, alteraciones de corriente, modificaciones inapropiadas o utilización de piezas de recambio no originales.
11. Electrodomésticos que se utilicen en aplicaciones industriales o para fines comerciales.
12. Electrodomésticos con número de serie ilegible o alterado.
13. Defectos o averías producidas como consecuencia de arreglos, reparaciones, modificaciones, o desarme de la instalación del aparato por el usuario o por un técnico no autorizado por el fabricante, o como resultado del incumplimiento manifiesto de las instrucciones de uso y mantenimiento del fabricante.
14. Durante el periodo de garantía es imprescindible conservar todos los manuales junto con el equipo. Si el equipo se vende, dona o regala, se debe entregar el manual y todos los documentos relacionados al nuevo usuario. Si alguno de estos se perdiera, no podrá ser reclamada su reposición.
15. Las averías que tengan su origen o sean consecuencia directa o indirecta de: contacto con líquidos, productos químicos y otras sustancias, así como de condiciones derivadas del clima o el entorno: terremotos, incendios, inundaciones, calor excesivo o cualquier otra fuerza externa, como insectos, roedores y otros animales que puedan tener acceso al interior de la máquina o sus puntos de conexión.
16. Daños derivados de terrorismo, motín, alboroto o tumulto popular, manifestaciones y huelgas legales o ilegales; hechos de actuaciones de la Fuerzas Armadas o de los Cuerpos de Seguridad del Estado en tiempos de paz; conflictos armados y actos de guerra (declarada o no); reacción o radiación nuclear o contaminación radiactiva; vicio o defecto propio de los bienes; hechos calificados por el Gobierno de la Nación como de "catástrofe o calamidad nacional".

**El diseño y las especificaciones están sujetos a cambios
sin previo aviso para la mejora del producto.**

O produto está concebido para a aspiração de fumos e vapores da cozedura e destina-se apenas a uso doméstico.

Siga rigorosamente todas as instruções contidas neste manual. Não nos responsabilizamos por eventuais inconvenientes, danos ou incêndios provocados ao produto devido à inobservância das instruções indicadas neste manual.

O aparelho pode ter estéticas diferentes relativamente ao ilustrado nos desenhos deste manual, contudo as instruções de utilização, manutenção e instalação são as mesmas.

- É importante conservar todos os manuais que acompanham o produto para poder consultá-los a qualquer momento. Em caso de venda, cessão ou mudança, certifique-se de que permaneçam junto do produto.
- Leia atentamente as instruções: existem importantes informações sobre a instalação, a utilização e a segurança.
- Verifique a integridade do produto antes de proceder à instalação. Caso contrário, entre em contacto com o revendedor e não prossiga com a instalação.

NOTAS

* : as peças indicadas com este símbolo são acessórios opcionais fornecidos apenas em alguns modelos ou peças não fornecidas, mas que podem ser adquiridas.

1. SEGURANÇA E REGULAMENTOS

⚠️ SEGURANÇA GERAL

• Não faça alterações elétricas ou mecânicas no produto ou nas condutas de extração. • Antes de qualquer operação de limpeza ou de manutenção, desligue o produto da rede elétrica, retirando a ficha da tomada ou desligando o interruptor geral da habitação. • Para todas as operações de instalação e manutenção, use luvas de trabalho. • O produto pode ser utilizado por crianças de idade não inferior a 8 anos e por pessoas com capacidades físicas, sensoriais ou mentais reduzidas, ou com falta de experiência ou do necessário conhecimento, desde que sob vigilância ou após terem recebido instruções acerca do uso do aparelho em segurança e da compreensão dos perigos a ele inerentes. • As crianças devem ser vigiadas para que não brinquem com o produto. • A limpeza e a manutenção não devem ser efetuadas por crianças sem vigilância. O local deve dispor de ventilação suficiente quando o produto for utilizado em simultâneo com outros aparelhos de combustão a gás ou outros combustíveis. • O produto deve ser limpo frequentemente, quer no seu interior quer no seu exterior (PELO MENOS UMA VEZ POR MÊS), contudo respeite as indicações expressas nas instruções de manutenção. • O incumprimento das normas

de limpeza do produto e da substituição / limpeza dos filtros implica risco de incêndio. • É estritamente proibido cozinhar alimentos na chama sob o produto. • **ATENÇÃO:** Quando a placa de cozinha estiver em funcionamento, as partes acessíveis do produto podem ficar quentes. • Não ligue o produto à rede elétrica sem que a instalação esteja completamente concluída. • No que diz respeito às medidas técnicas e de segurança a serem adotadas para a extração de fumos, siga rigorosamente as disposições previstas nos regulamentos das autoridades locais competentes. • O ar aspirado não deve ser encaçado numa conduta usada para a extração dos fumos produzidos por aparelhos de combustão a gás ou outros combustíveis. • Não utilize ou deixe o produto sem lâmpadas corretamente montadas para evitar o possível risco de choque elétrico. • O produto NUNCA deve ser utilizado sem a grelha corretamente montada. O produto NUNCA deve ser utilizado como superfície de apoio a menos que seja expressamente indicado.

⚠️ SEGURANÇA PARA A INSTALAÇÃO

• Utilize os parafusos de fixação fornecidos em dotação com o produto apenas se forem adequados para a superfície, caso contrário compre-os do tipo correto. Certifique-se de que dentro do produto não existe (por motivos de transporte) material acessório (por exemplo, sacos com parafusos, garantias etc.); caso contrário, deve ser retirado e guardado. • **AVISO:** A falta de instalação de parafusos e de outros dispositivos de fixação de acordo com estas instruções, pode resultar em riscos de natureza elétrica. • O tubo de evacuação não é fornecido e deverá ser adquirido. • O diâmetro do tubo de extração deve ser equivalente ao diâmetro do anel de ligação. • Para a instalação do produto sobre a placa de cozinha respeite a altura indicada nos desenhos • A distância mínima entre a superfície de apoio dos recipientes sobre o dispositivo de cozedura e a parte mais baixa do exaustor de cozinha não deve ser inferior a 50 cm no caso de fogões elétricos e de 65 cm no caso de fogões a gás ou mistos. • Se as instruções de instalação do dispositivo de cozedura a gás especificarem uma distância maior, é preciso ter isso em consideração.

⚠️ SEGURANÇA PARA A LIGAÇÃO ELÉTRICA

• A tensão da rede deve corresponder à tensão indicada na etiqueta de características situada dentro do produto. • Se equipado com uma ficha, ligue o produto a uma tomada, em conformidade com as normas vigentes, colocada numa zona acessível, mesmo após a instalação. • Se for desprovido de ficha (ligação direta à rede) ou se a ficha não estiver colocada em zona acessível, mesmo após a instalação, aplique um interruptor bipolar em norma que garanta o desligamento total da rede nas condições da categoria de sobretensão III, em conformidade com as

regras de instalação. • O produto está equipado com um cabo de alimentação especial; se o cabo estiver danificado, solicite-o ao serviço de assistência técnica.

● **Atenção!** Antes de ligar novamente o circuito à alimentação da rede e de verificar o seu correto funcionamento, verificar sempre se o cabo de rede está montado corretamente.

Atenção! Não utilize com programadores, temporizadores, controlos remotos separados ou qualquer outro dispositivo que se ativa automaticamente.

SUGESTÕES DE UTILIZAÇÃO

Sugestões para uma utilização correta para reduzir o impacto ambiental: Quando começar a cozinhar, ligue o aparelho na velocidade mínima, deixando-o ligado durante alguns minutos, mesmo após ter terminado de cozinhar. Aumente a velocidade apenas em caso de grandes quantidades de fumo e vapor, utilizando a função booster só em casos extremos. Para manter o sistema de redução de cheiros eficiente, substitua o(s) filtro(s) de carvão quando for necessário. Para manter eficiente o filtro de gordura, limpe-o em caso de necessidade. Para otimizar a eficiência e minimizar os ruídos, utilize o diâmetro máximo do sistema de canalização indicado neste manual.

ELIMINAÇÃO EM FIM DE VIDA

Este aparelho está marcado em conformidade com a Diretiva Europeia 2012/19/CE - Instrumento Estatutário do Reino Unido n.º 3113 de 2013, Resíduos de equipamentos elétricos e eletrónicos (REEE). Ao assegurar-se de que este aparelho seja eliminado corretamente. o utilizador contribui para evitar as potenciais consequências negativas para o ambiente e para a saúde.



O símbolo no produto ou na documentação anexa indica que este produto não deve ser tratado como lixo doméstico, devendo ser entregue no ponto de recolha apropriado para a reciclagem de equipamentos elétricos e eletrónicos. Desfaça-se deles seguindo os regulamentos locais para a eliminação dos resíduos. Para mais informações sobre o tratamento, recuperação e reciclagem deste produto, contacte as autoridades locais, o serviço de recolha de resíduos domésticos ou a loja onde o aparelho foi adquirido.

REGULAMENTAÇÃO

Aparelho projetado, testado e fabricado respeitando as normas de Segurança: EN/IEC 60335-1; EN/IEC 60335-2-31, EN/IEC 62233. Desempenho: EN/IEC 61591; ISO 5167-1; ISO 5167-3; ISO 5168; EN/IEC 60704-1; EN/IEC 60704-2-13; EN/IEC 60704-3; ISO 3741; EN 50564; IEC 62301. CEM: EN 55014-1; CISPR 14-1; EN 55014-2; CISPR 14-2; EN/IEC 61000-3-2; EN/IEC 61000-3-3.

2. UTILIZAÇÃO

O sistema de aspiração pode ser utilizado na versão de aspiração com evacuação externa ou de filtragem de

recirculação interna.

● Versão de aspiração:

Os vapores são evacuados para o exterior por meio de um tubo de descarga fixado no flange de conexão.

ATENÇÃO! Se o produto dispuser de filtro(s) de carvão, ele(s) deve(m) ser removido(s).

Ligue o produto a tubos e orifícios de descarga na parede com diâmetro equivalente à saída de ar (flange de conexão).

A utilização de tubos e orifícios de descarga na parede com diâmetro inferior determinará uma diminuição no desempenho de aspiração e um aumento drástico do ruído.

Isentamo-nos de qualquer responsabilidade neste caso.

- Use um duto com o comprimento mínimo indispensável.
- Use um duto com o menor número de curvas possível (ângulo máximo da curva: 90°).
- Evite mudanças drásticas de secção do duto.

● Versão de filtragem:

O ar aspirado será desengordurado e desodorado antes de ser reconduzido para o cómodo. Para utilizar o produto nesta versão, é necessário instalar um sistema de filtragem adicional à base de carvões ativos.

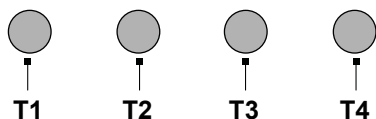
Os modelos sem motor de aspiração funcionam exclusivamente na versão aspirante e evem ser ligados a uma unidade periférica de aspiração (não fornecida). As instruções da ligação são fornecidas com a unidade periférica de aspiração.

MONTAGEM ANTES DA INSTALAÇÃO

- Verifique se o produto adquirido possui dimensões adequadas para a zona de instalação previamente escolhida.
- Retire o(s) filtro(s) de carvão ativo, se fornecido(s) (ver também a seção correspondente).
- Ele(s) só deve(m) ser remontado(s) se se desejar utilizar o produto na versão filtrante.
- No caso da presença de painéis e/ou paredes e/ou prateleiras laterais, verifique se há espaço suficiente para instalar o produto e se é sempre possível aceder ao painel de comandos com facilidade.
- O produto dispõe de pastilhas de fixação adequadas para a maior parte das paredes/tetos. É, no entanto, necessário consultar um técnico qualificado para assegurar-se de que os materiais são adequados, dependendo do tipo de parede/teto. A parede/o teto deve ser suficientemente robusta/o para sustentar o peso do exaustor.

Produto de peso excessivo, a movimentação e instalação do exaustor devem ser feitas por pelo menos duas pessoas.


3. FUNCIONAMENTO



- T1. Interruptor luz ON/OFF.
- T2. Interruptor OFF/velocidade 1
- T3. Seleção velocidade 2
- T4. Seleção velocidade 3

4. AVISOS DE MANUTENÇÃO

- **Limpeza:** Para a limpeza utilize exclusivamente um pano humedecido com detergentes líquidos neutros. Não utilize ferramentas ou instrumentos para a limpeza.
- Evite o uso de produtos contendo abrasivos. **NÃO UTILIZAR ÁLCOOL!**

 Para manutenção do produto veja as imagens no final da instalação marcadas com este símbolo.

- **XA Filtro de gorduras:** O filtro de gorduras metálico deve ser limpo uma vez por mês com detergentes não agressivos, à mão ou na máquina de lavar louça a baixas temperaturas e com um ciclo breve. Para desmontar o filtro de gorduras, puxe a alça de desengate por mola.
- O filtro de gorduras retém as partículas de gordura derivadas do cozimento. Com a lavagem na máquina de lavar louça, o filtro de gorduras metálico pode perder a cor, mas suas características de filtragem não se alteram absolutamente.

- **XB Filtro de carvões ativos lavável (apenas para a versão filtrante):**

o filtro de carvão pode ser lavado a cada dois meses (ou quando o sistema de indicação de saturação dos filtros - se previsto no modelo na sua posse - indicar a necessidade). Conforme indicado na seção dos desenhos: retire os filtros de gorduras, remova o filtro de carvão e lave em água quente com detergentes adequados ou na lava-louças a 65 °C (no caso de lavagem em lava-louças, execute o ciclo de lavagem completo sem louças no interior). Retire a água em excesso sem danificar o filtro; em seguida, ponha-o no forno por 10 minutos a 100 °C para secá-lo definitivamente. Recoloque os filtros de gordura.

Substitua a almofadinha a cada 3 anos e sempre que o pano estiver danificado.

- **XC Painel de aspiração perimetral (manutenção do painel)**

Desmontagem:

- a. puxe o painel (LADO FRONTAL) firmemente para baixo
- b. solte-o das dobradiças posteriores.

Limpeza: o painel de aspiração deve ser limpo

manualmente com detergentes não agressivos.

Montagem: o painel deve ser preso na parte traseira e fixado na parte frontal (fixação com imãs).

Atenção! Verifique sempre se o painel está bem fixado no lugar correto.

• **Sistema de iluminação :** O sistema de iluminação não pode ser substituído pelo utilizador, em caso de mau funcionamento, entre em contacto com o serviço de assistência.

• O sistema de iluminação se baseia na tecnologia a LED. Os LEDs garantem uma iluminação ideal, com uma duração até 10 vezes superior às lâmpadas tradicionais, e permitem uma economia de 90% de energia elétrica.

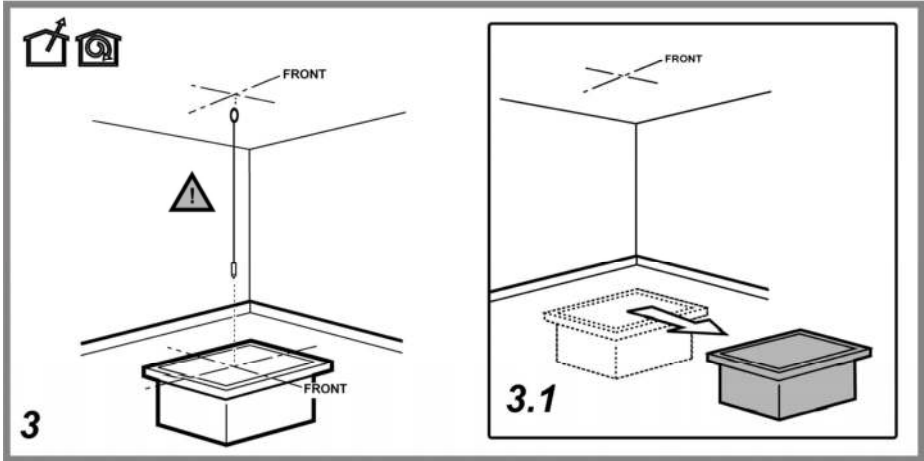
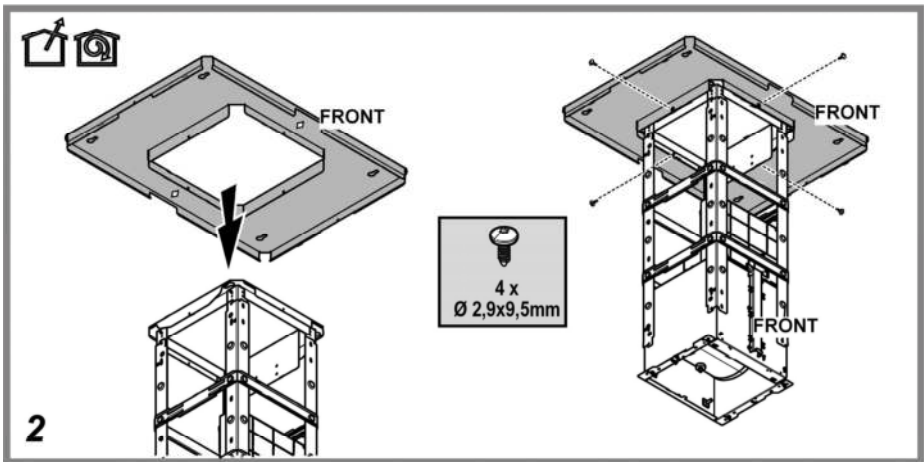
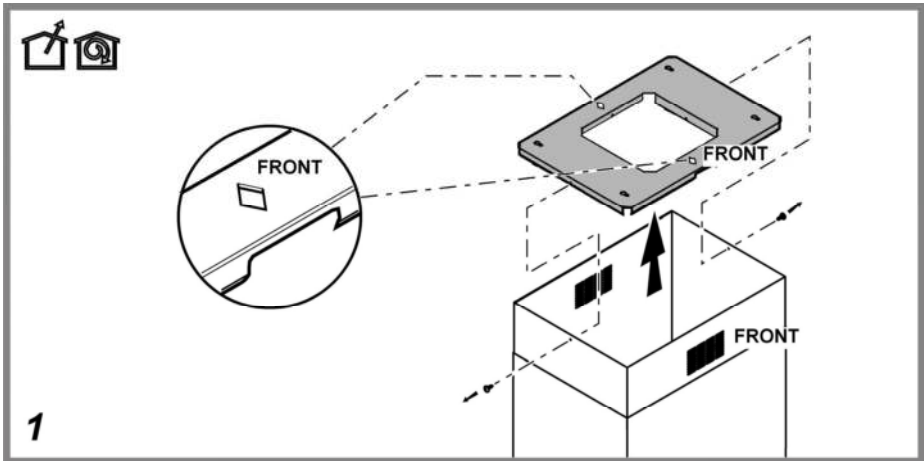
CONDIÇÕES DA GARANTIA

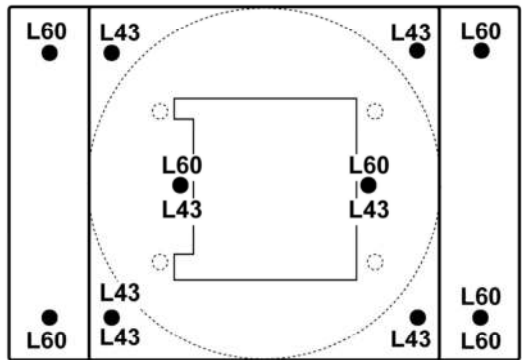
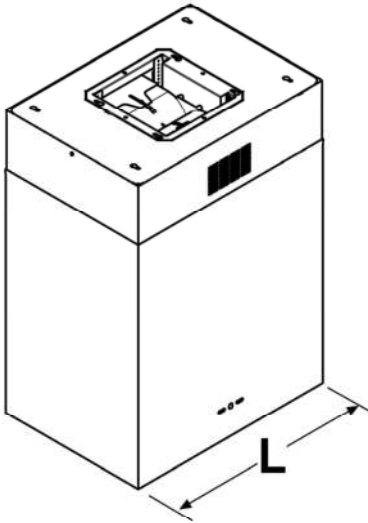
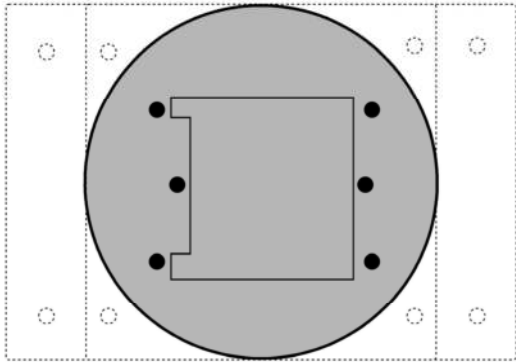
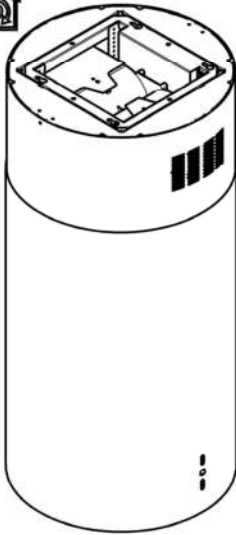
Este aparelho é garantido por três anos a partir da data de venda contra todos os defeitos de fabrico, incluindo mão-de-obra e peças sobressalentes. A fim de justificar a data de compra, será obrigatório apresentar a factura ou o recibo de compra. As condições desta garantia aplicam-se apenas a Espanha e Portugal. Se tiver adquirido este produto noutro país, consulte o seu distribuidor para as condições aplicáveis.

EXCLUSÕES DA GARANTIA

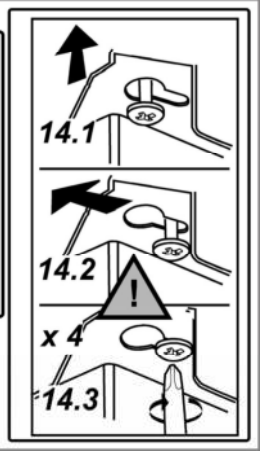
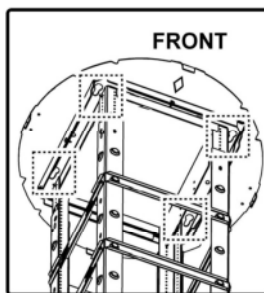
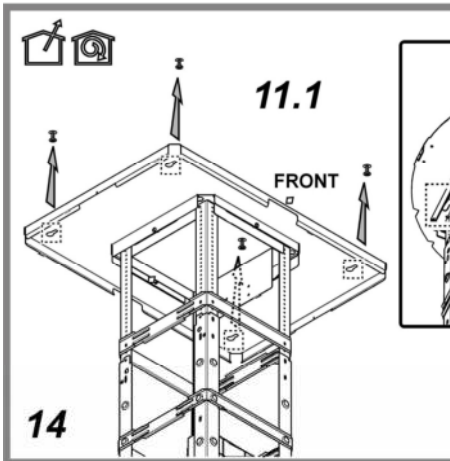
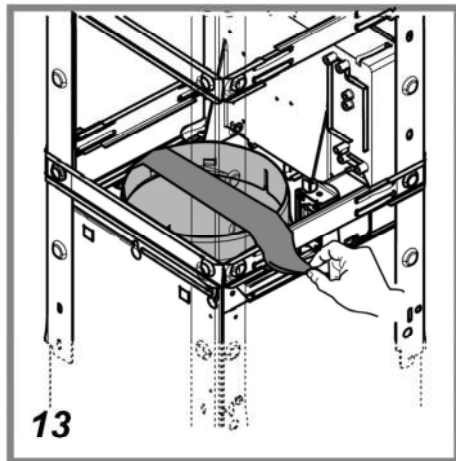
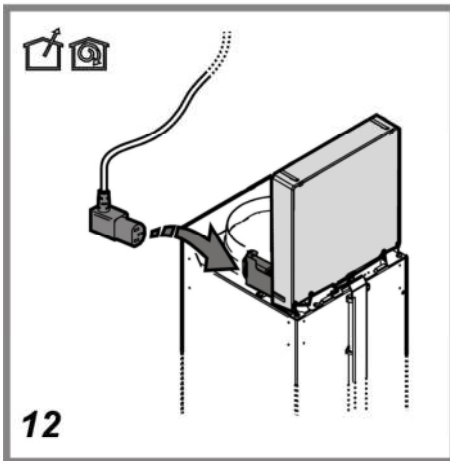
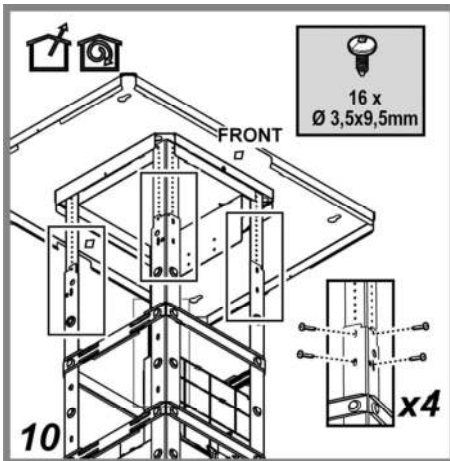
1. Controles remotos, borrachas de entrada de drenagem, encaixes e vedações de portas, proteção contra calafetação
2. Danos em esmaltes, tintas, niquelagem, cromagem, oxidação ou outros tipos de peças ou componentes estéticos que não afetam o funcionamento interno do aparelho.
3. Danos nas peças de desgaste devido ao uso, corrosão ou oxidação, sejam causados pelo uso normal do aparelho ou deterioração acelerada devido a circunstâncias ambientais ou climáticas desfavoráveis. Não é adequado para uso ao ar livre.
4. Danos em peças frágeis de vidro, vitrocerâmica, plásticos, puxadores, cestos, portas ou lâmpadas, quando a sua falha ou quebra não seja atribuível a defeito de fabricação.
5. Avarias causadas por causas fortuitas ou acidentadas de força maior, ou como consequência de uso anormal, negligente ou impróprio do dispositivo.
6. Responsabilidade civil de qualquer natureza.
7. Danos consequentes no aparelho, desde que não sejam causados por uma avaria interna.
8. Manutenção ou conservação do aparelho: revisões periódicas, ajustes e graxas.
9. Defeitos que possam sofrer acessórios e complementos, adaptadores, cabos externos, bolsas, peças de reposição de todos os tipos, lâmpadas, bem como qualquer peça considerada consumível pelo fabricante.
10. Falhas causadas por instalação incorreta ou ilegal, ventilação inadequada, falta de aterramento em casa, falhas de energia, modificações inadequadas ou uso de peças sobressalentes não originais.
11. Aparelhos usados em aplicações industriais ou para fins comerciais.
12. Aparelhos com número de série ilegível ou alterado.
13. Defeitos ou avarias produzidos como resultado de reparos, modificações ou desmontagem da instalação do dispositivo pelo usuário ou por um técnico não autorizado pelo fabricante, ou como resultado do não cumprimento manifesto das instruções do fabricante para uso e manutenção.
14. Durante o período de garantia é imprescindível manter todos os manuais junto com o equipamento. Se o equipamento for vendido, ou doado, o manual e todos os documentos relacionados devem ser entregues ao novo usuário. Se algum deles for perdido, sua substituição não poderá ser reivindicada.
15. Falhas que tenham origem ou sejam consequência direta ou indireta de: contato com líquidos, produtos químicos e outras substâncias, bem como condições derivadas do clima ou do meio ambiente: terremotos, incêndios, inundações, calor excessivo ou qualquer outra força externa, como insetos, roedores e outros animais que possam ter acesso ao interior da máquina ou seus pontos de conexão.
16. Danos derivados de terrorismo, motim ou tumulto popular, manifestações e greves legais ou ilegais; fatos das ações das Forças Armadas ou das Forças de Segurança do Estado em tempos de paz; conflitos armados e atos de guerra (declarados ou não); reação nuclear ou radiação ou contaminação radioativa; vício ou defeito das mercadorias; factos classificados pelo Governo da Nação como "catástrofe ou calamidade nacional".

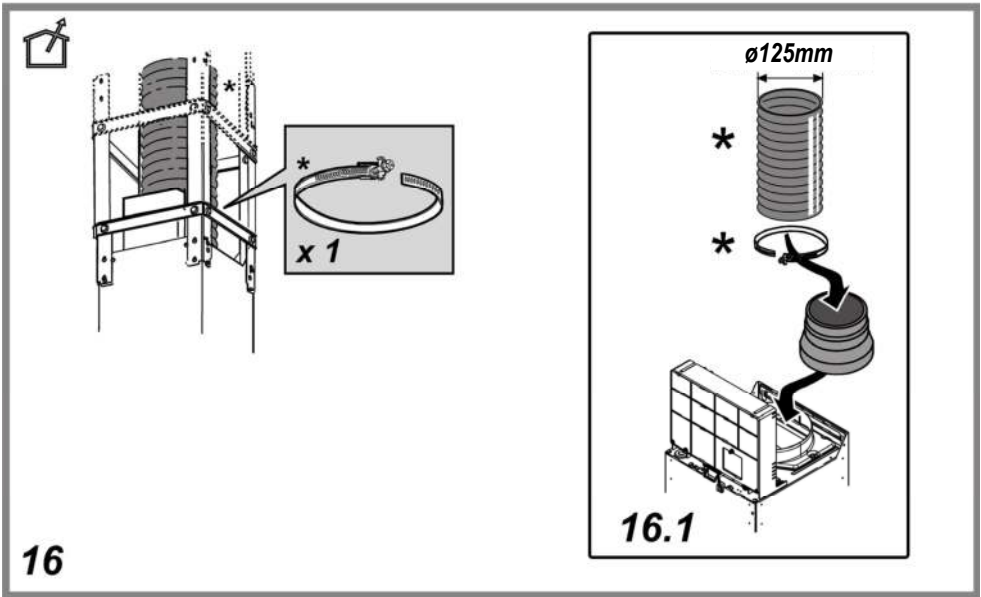
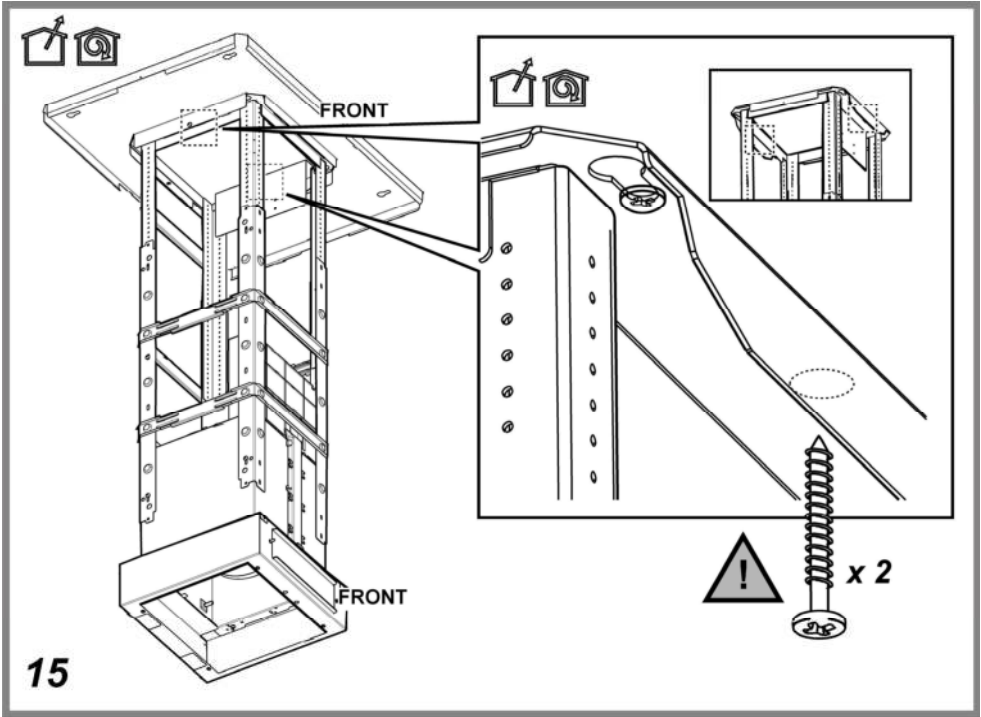
O design e as especificações estão sujeitos a alterações sem aviso prévio para melhoramento do produto. Quaisquer alterações ao manual serão actualizadas no nosso sítio web, pode consultar a versão mais recente.

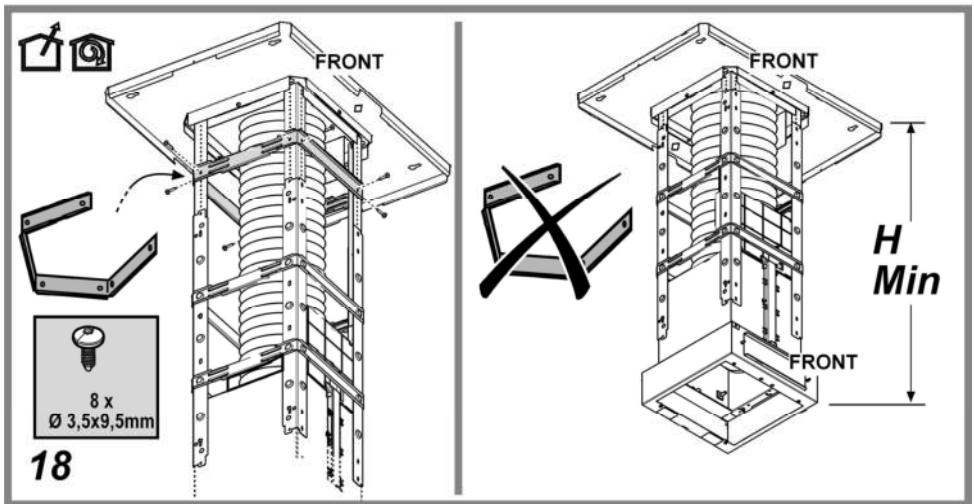
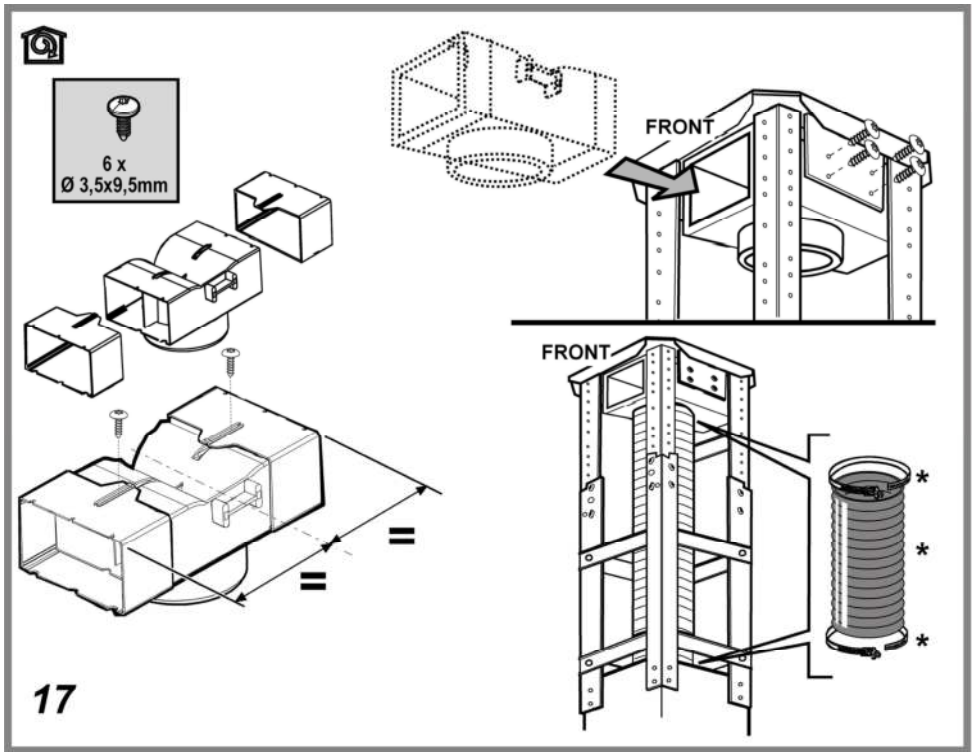


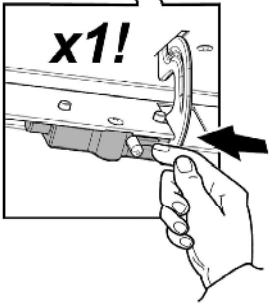
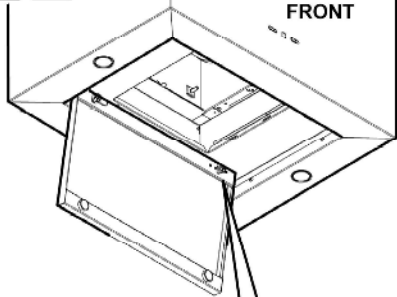


4

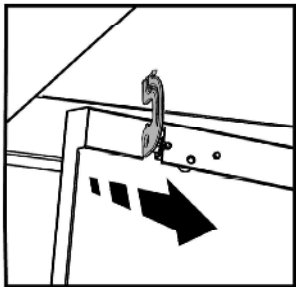
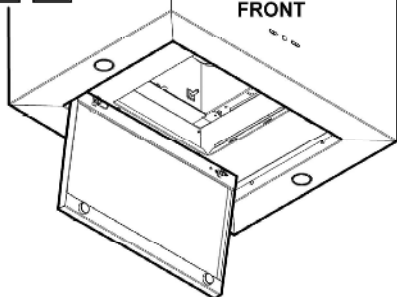




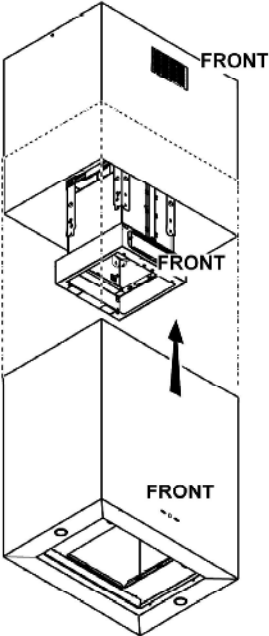




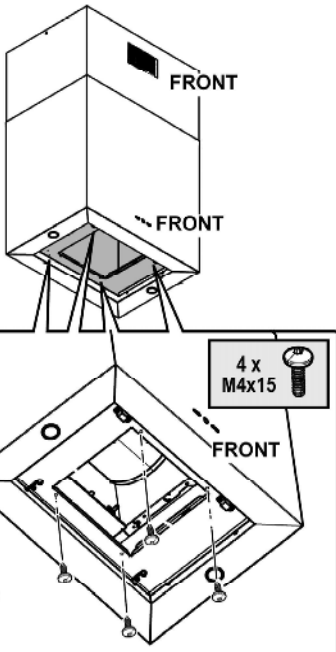
22*



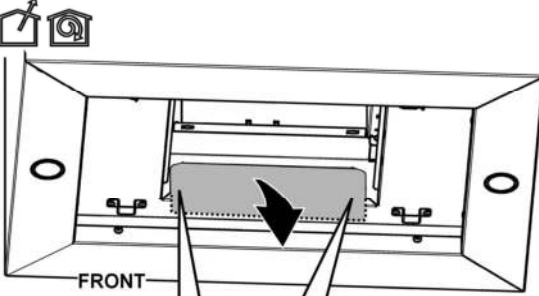
23*



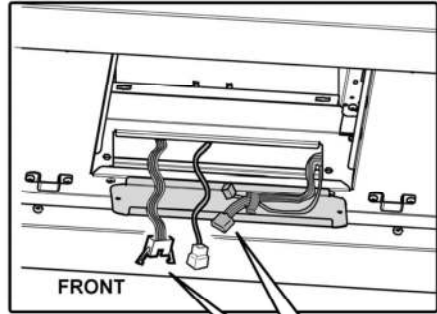
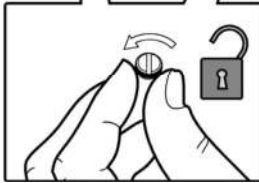
24



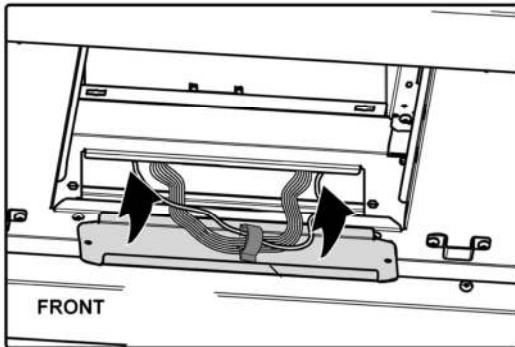
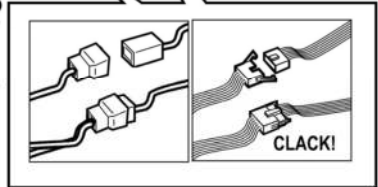
24.1



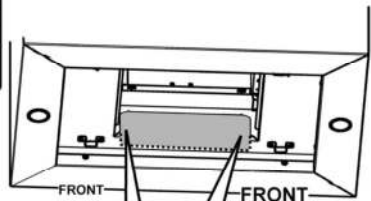
25.1



25.2



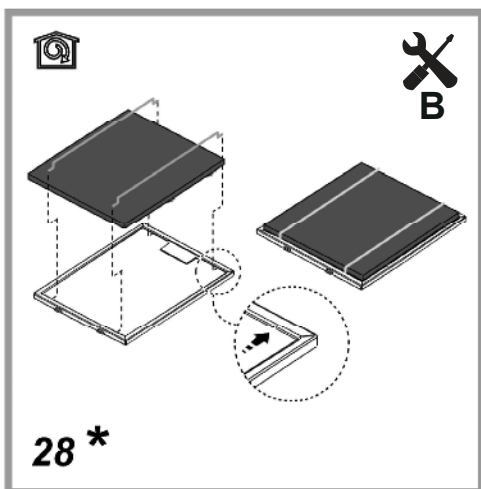
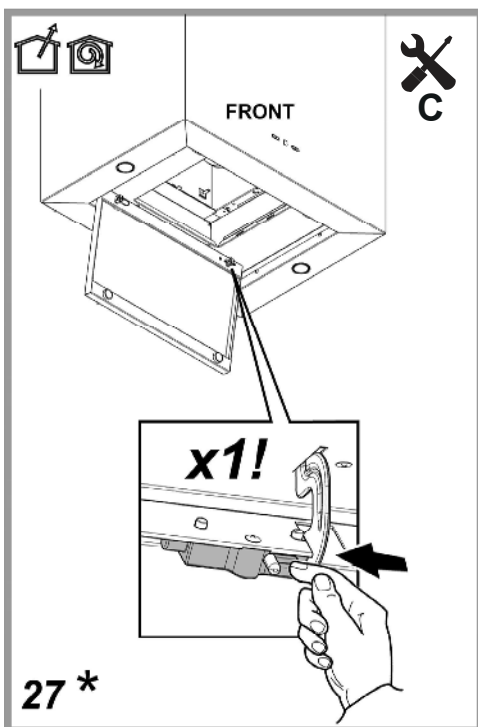
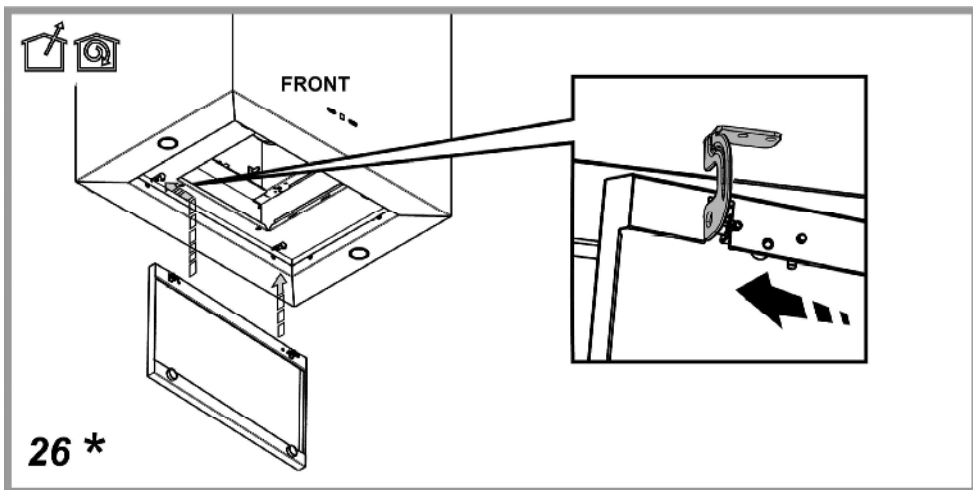
25.3

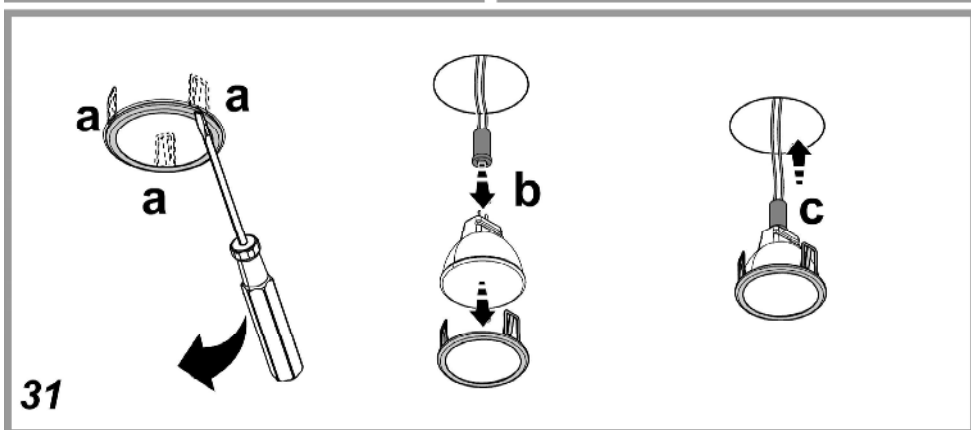
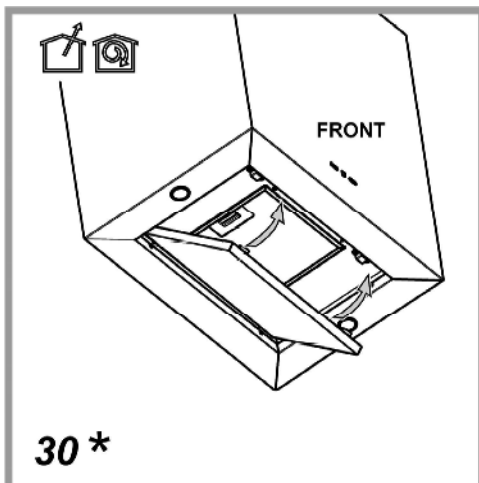
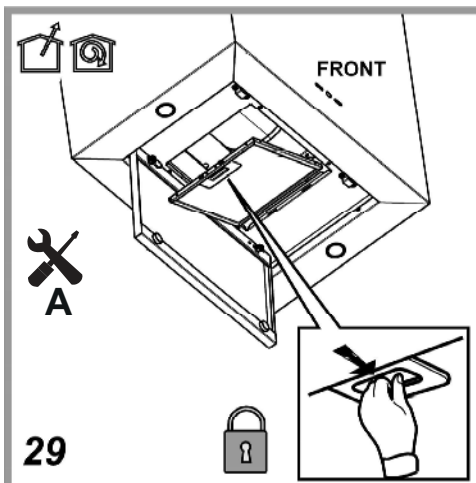


25.4



25







Escanee para ver este manual en otros idiomas y actualizaciones
Scan for manual in other languages and further updates
Manuel dans d'autres langues et mis à jour
Manual em outras línguas e atualizações

LIB0194088 Ed. 06/23



johnson

Polígono Industrial San Carlos,
Camino de la Sierra S/N Parcela 11
03370 - Redován (Alicante)

www.ponjohnsonentuvida.es